



Epson SureColor® F6370

Next Generation DyeSublimation Transfer Printer

Sales Reference Guide



Epson SureColor F-Series Dye-Sublimation Line

On-demand digital textile printing, limited only by your own creativity.

Epson SureColor F6370

\$8,495 / \$8,995* MSRP



44" Width



C M Y HDK

680 ft² 325 ft² 175 ft²

Maximum Speed Fashion/Signage Production Sports Apparel Production

Epson SureColor F7200

\$15,995 MSRP



64" Width



C M Y HDK

634 ft² 325 ft² 175 ft²

Maximum Speed Fashion/Signage Production Sports Apparel Production

Epson SureColor F9370

\$27,995 MSRP



64" Width



C M Y HDK + C M Y HDK

1,169 ft² 1,004 ft² 568 ft²

Maximum Speed Fashion/Signage Production Sports Apparel Production

* \$8,495 MSRP - SureColor F6370 Standard Edition / \$8,995 MSRP - SureColor F6370 Production Edition (includes auto media take-up reel system)

Introducing the new SureColor F6370 Series

Epson SureColor F6370 Standard Edition

\$8,495 MSRP



Includes:

SureColor F6370 Printer and Stand
Epson Edge Print Software
UltraChrome DS Inks 4 x 1 Liter
Epson DS Transfer Paper

Epson SureColor F6370 Production Edition

\$8,995 MSRP



Includes:

SureColor F6370 Printer and Stand
Auto Media Take-up Reel System
Epson Edge Print Software
UltraChrome DS Inks 4 x 1 Liter
Epson DS Transfer Paper



Epson Edge Print
Workflow Software

Built-in High Speed Auto Cutter
Automated roll to cut sheet

Available Take-up System
Roll-to-Roll Calendar Production
Included with Production Edition



User Accessible
Maintenance Bay



PRECISIONCORE
Single Print Head
Precision Core TFP

UltraChrome DS Ink + HDK
1.5 Liters per Color

Compact Design
All functions accessible from front

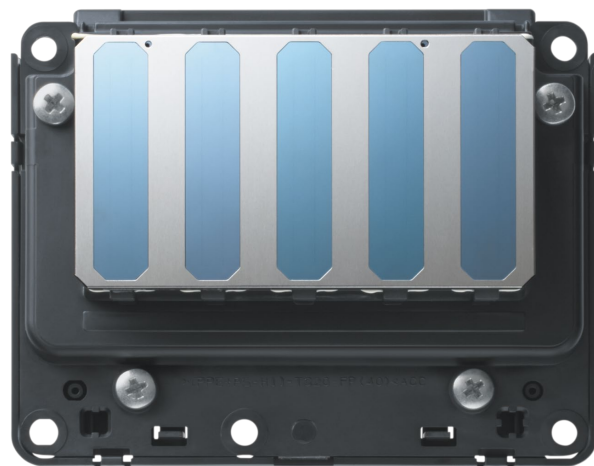


Epson PrecisionCore™

Next-Generation Print Head Technology



720
nozzles
per inch



Epson PrecisionCore TFP
Actual print head used in the
SureColor F-Series printers

■ **Extreme Print Quality**

- Print resolutions up to 1,440 x 720 dpi for amazing image quality
- Precision dot control for outstanding clarity and sharpness

■ **Fast Print Speeds**

- True 720 nozzles per inch dedicated to each color ink
- Quite possibly one of the fastest dye-sublimation transfer printers in it's class

■ **Commercial-Grade Reliability**

- The PrecisionCore print chip is ideal for printing with dye sublimation ink chemistry
- Co-developed with Epson UltraChrome DS ink technology for extreme reliability
- Capable of very high-production, with very little downtime for maintenance



Epson UltraChrome® DS Ink

Featuring High Density Black Ink Technology



■ **Developed Specifically for the Epson PrecisionCore TFP Print Head**

- Significantly increases the overall print head life
- The SureColor F-Series printers are designed to be used exclusively with Epson UltraChrome DS inks and not with any other brands of cartridges or inks. Using Epson genuine ink is important for reliable performance and high image quality.

■ **High Density Black Ink**

- High efficiency ink formulated to achieve dramatic color intensity and high color contrast
- Superior overall image quality - both image definition and text sharpness are amazing

■ **Safety First**

- Epson UltraChrome DS inks are Eco Passport certified by Oeko-Tex. This is an international safety standard in the textile industry. It is certified to be safe for adults and children, including babies.
- Epson UltraChrome DS inks are AZO certified to be free of aryl amines



NEP 1902 Nissenken

Textile chemicals. Tested and verified.
www.oeko-tex.com/ecopassport

Simple Ink Refill Packs

Less environmental impact versus standard plastic cartridges



Replaceable IC Chip

Available only with a refill pack

Purchased in Packs of 6 Only

Each color sold in sets of 6 per Carton
Helps to reduce your overall cost-per-ml

High Capacity 1.1 Liter Pack

10% more ink than prior generation

OEKO-TEX®
CONFIDENCE IN TEXTILES
ECO PASSPORT 
NEP 1902 Nissenken
Textile chemicals. Tested and verified.
www.oeko-tex.com/ecopassport



Technology Enhancements

Epson SureColor F6370



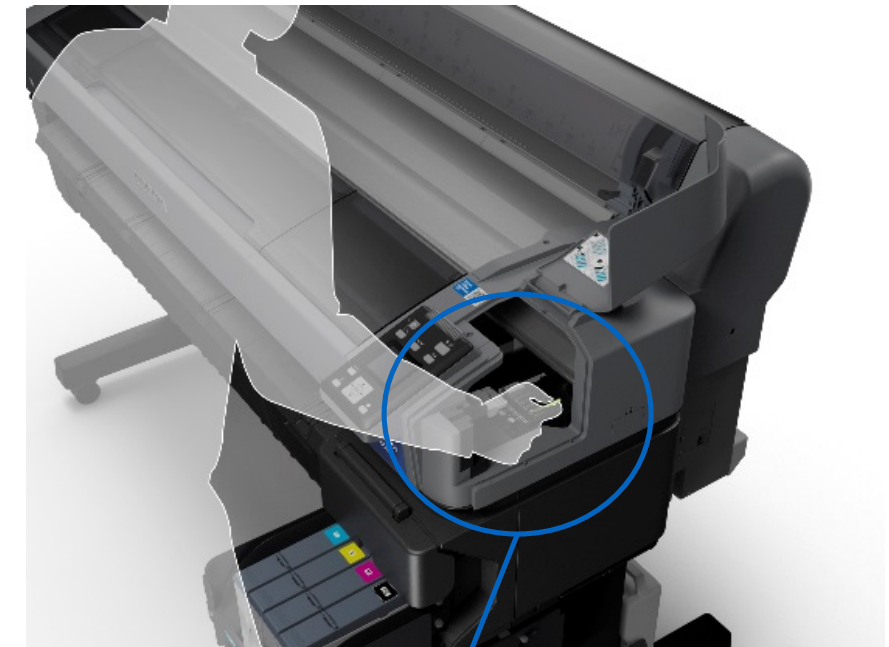
QR code label links to maintenance video



Maintenance cover open.

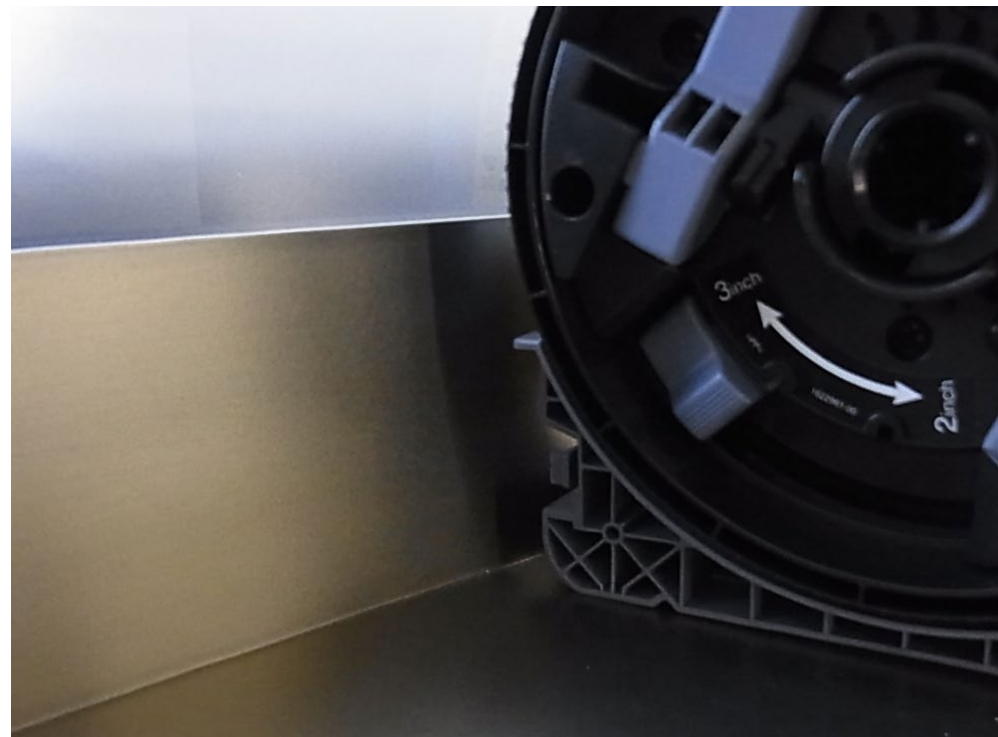


Easy instruction label for cap cleaning.

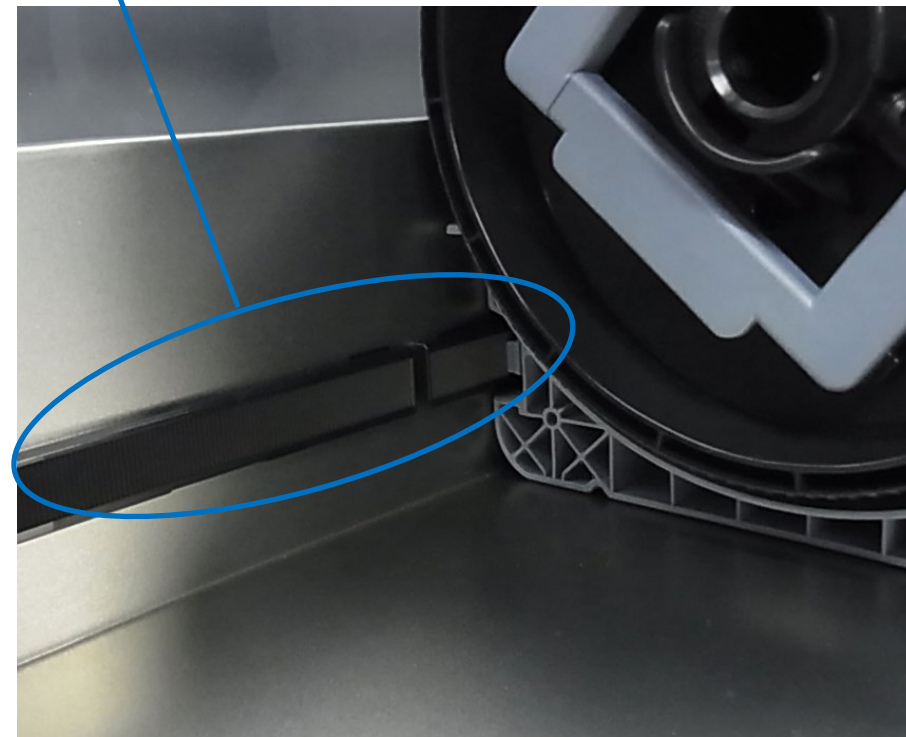


Access to cap, Wiper and Wiper Cleaner.

Roll Lock – Prevents unwanted Roll movement

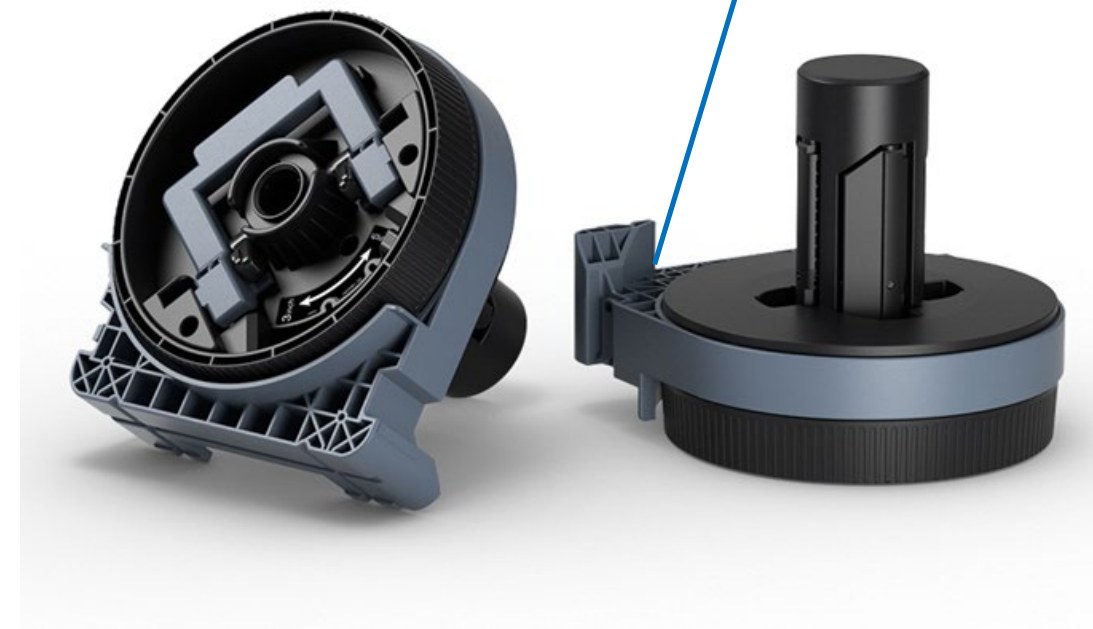


SureColor F6200



SureColor F6370

New Roll Media Adaptors
Supports 2" and 3" Core
media up to 170 mm diameter





Media Take-Up Reel System Roll-to-Roll Printing

Suitable for use with rotary
calendar press with consistent
paper tension

Available Fall 2019

Optional with Standard Edition Model
Included with Production Edition Model

**Epson Precision Dot technology
for dye-sublimation**

**Half Tone
Module (New)**



✓Reduction of graininess

LUT (New)



- ✓Maximization of color gamut
- ✓Smooth gradation
- ✓Color constancy under different light condition
- ✓High durability
- ✓LUT for fabric and rigid materials

**Microweave
(Improved)**



- ✓High uniformity
- ✓Extend banding margin

Epson Precision Dot delivers the high image quality with vibrant colors and smooth gradations by harmonizing three different dedicated technologies for dye-sublimation: Half Tone Module, LUT and Microweave



Epson Dye-Sublimation Papers

High Performance Papers



■ **High Performance Dye Sublimation Papers**

- Four main paper types – standard multi-purpose, photo, tack adhesive, and production
- Multi-purpose is great for transferring onto mouse pads, t-shirts, ceramics, etc.
- Photo is optimized for hard substrates to deliver high print quality with minimal grain.
- Textile-Adhesive is recommended for high-end fabric and apparel production
- Production is a lightweight paper ideal for roll-to-roll applications

■ **Enhanced Dye Transfer Performance**

- Unique chemical coating technology allows for heavy ink loads with low cockling, superior clarity, and sharpness that only Epson can deliver
- Incredible high-transfer yield properties for amazing performance and productivity

■ **Competitive Pricing**

- For about the same cost as typical branded or other high-quality paper solutions, you can have a genuine Epson media technology with full support



Printing Workflow

Epson SureColor F-Series



■ **Robust printer control application software**

- Real-time printer status and consumables monitoring
- Perform cleaning cycles and various maintenance cycles remotely
- Allows for easy printer firmware status and updating

■ **Epson EMX media configuration system**

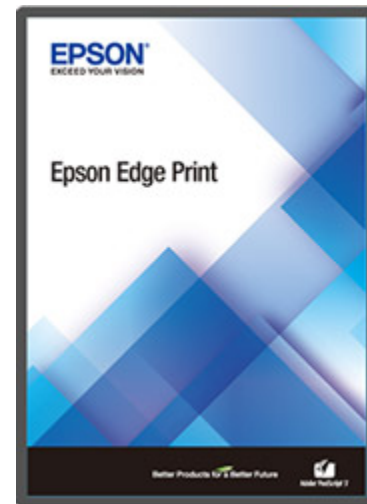
- Simple media configuration and setup through a single file - EMX
- Each EMX file contains all the printer settings (platen gap, paper tension, etc.) and color profile for a specific transfer media

■ **Better customer service**

- Epson Edge Dashboard software can automatically send Epson technical support all relevant details about your printer to help diagnose and resolve any problems

- **SureColor F6370 Series Printers Come Standard with Epson Edge Print**

- Complete layout and printer management is standard
- Powerful color management technology easy to use and intuitive workflow
- Features an Adobe ® PostScript ® 3™ Engine for graphic file compatibility
- Equipped with tools specifically for digital textile printing such as step and repeat, spot color matching, and custom color library support.



- **Compatibility with Industry-Leading RIP's**

- Epson printers are compatible with the leading RIP workflow solutions



The Epson Rewards Program

A Loyalty Program for Using Genuine Epson Consumables

- **Epson Customer Loyalty Program**

- Get rewarded for purchasing genuine Epson consumables

- **Easy Web-Based Sign-up Process**

- www.epson.com/SureColorRewards
- Create your own personal account and start right away!

- **Simply Buy Genuine Epson Consumables**

- Look for the Epson Rewards sticker on Ink and Paper
- Scratch-off the show the reward code and enter it on your account page

- **Accumulate Points and Use them for Discounts on Epson Products**

- Use your points to purchase Extended Service Plans
- Use your points for purchasing new printer models
- The choice is up to you!





Warranty and Service Programs

Epson SureColor F-Series



■ **Epson preferred limited warranty**

- On-site one year limited warranty
- Next business day on-site service
- Includes priority toll-free technical phone support available Monday through Friday

■ **Everything is covered by Epson**

- You no longer have to worry about who to call when something goes wrong
- Epson handles all technical and break-fix support

■ **Epson genuine ink and ink system user policy**

- Warranty Coverage for the print head and ink delivery system is terminated if the printer is ever used with new or refilled ink cartridges, inks or ink delivery systems other than the Epson UltraChrome DS system for which the printer was designed.

■ **Optional extended 1-Year Epson *Preferred Plus* plan**

- Continue to enjoy Epson service coverage after the end of your warranty
- Stackable for up to 2 additional years for a total of 3 years of coverage



Value Proposition

Epson SureColor F-Series

Complete Epson Genuine Solution

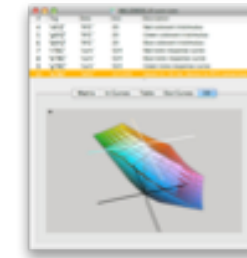
Total Turn-key Solution



Epson Edge Software
Adobe® Postscript® 3™



Epson PrecisionCore™ TFP
Next-generation print head technology



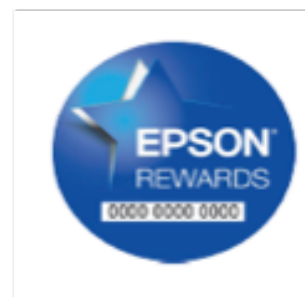
Epson ICC profiles



SureColor F-Series Printers



4 Color
Dye-sublimation Ink



Epson Service and Support



Epson DS Transfer Media

Epson Purpose Built Dye-Sublimation Solution
Delivering Award winning Quality, Performance, and Reliability at an Exceptional Value

- **Commercial-Level Production Speeds**
 - Outstanding everyday production speeds
 - Dramatically reduces the number of printers needed for full production capacity
- **Designed for High Reliability**
 - Print head and ink technology developed to work together for improved reliability
 - Developed to be a dye-sublimation solution - not a 'hacked' Epson photo printer
- **High Image Quality**
 - Epson UltraChrome DS with HDK ink technology produces amazing color with rich blacks
 - Capable of producing true photographic output with smooth tonal transitions
- **Low Cost-of-Ownership**
 - Be more profitable with low initial printer costs and low operating costs
- **Completely Supported by Epson**
 - World class service and support directly from one source

reliable
production
&
industry
proven



Specifications are subject to change without notice

Print speeds for the SureColor F-Series are based on print engine speed only, in bi-directional mode. Total throughput times depend upon front-end RIP, file size, printer resolution, ink coverage, networking, etc.

The SureColor F-Series are designed to use only Epson ink cartridges and refill packs and no other brands of new or refilled cartridges, or other brands of ink or bulk ink systems. Using Epson ink is important for reliable performance and high image quality.

*Oeko-Tex Standard specifies testing criteria for the presence of harmful substances within a textile product. The standard belongs to the International Association for Research and Testing in the field of Textile Ecology (Oeko-Tex).

Epson, Epson UltraChrome, PrecisionCore, SureColor, and TFP are trademarks or registered trademarks and EPSON Exceed Your Vision is a registered logo mark of Seiko Epson Corp.

All other product brand names are trademarks and/or registered trademarks of their respective companies. Epson disclaims any and all rights to these trademarks.

© Epson America, Inc. 2019 TC 07.01.19